

Aqua Big



i DESCRIPTION

AQUA BIG Line is a line of two-piece containers for medium-sized cartridges. It is suitable for situations where a certain quantity of water is consumed. The line comes in the AQUA BIG series, measuring 9" 3/4 - 20" - 30", with an opaque (Blue PP) or transparent (Blue SAN) sump. The heads are made with a female thread without brass inserts and with a plastic blow-off valve, in black PP. The containers are designed for hold filter cartridges with a 4.5-inch diameter measuring from 9" 3/4 - 20" - 30". All containers come without cartridges, and have black heads and transparent or blue sumps. Other colors are available upon request for bulk orders

g TECHNICAL FEATURES

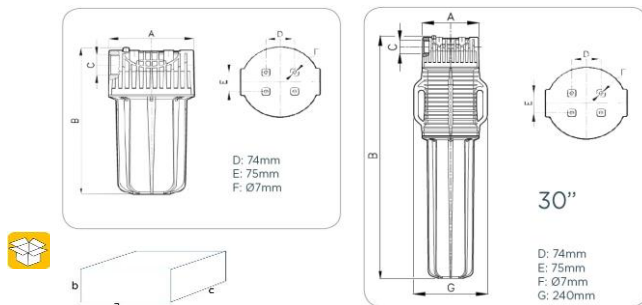
Housing	Characteristic	
Head	PP without brass inserts	
Sump	Transparent SAN-PP blue	
O-Ring	Silicone	
Working pressure	8 bar max	
Burst pressure	35 bar	
Working temperature	5°C+50°C min/max	
Capacity Lt/Min (empty) at 2 bar	1"-106.98	1½"-194.48
Life test	200.000 cycles from 0-10 BAR	

Aqua Big with transparent SAN sump

Code	Length inches	Port Size inches	Dimensions mm	Box Qty	Box Wt kg	Box Dimensions axbxc mm	Price	B
A1050120	9¾	1	185 x 343	4	10.00	400X400X410	£62.90	
A1050130	9¾	1½"	185 x 353	4	11.00	400X400X410	£62.90	
A1050140	20	1	185 x 615	4	16.00	430X670X420	£82.82	
A1050150	20	1½"	185 x 625	4	16.73	430X670X420	£82.82	
A1050340	30	1½"	185 x 878	1	7.00	210X900X210	£129.15	



g DIMENSIONS



Aqua Big with opaque Blue sump

Code	Length inches	Port Size inches	Dimensions mm	Box Qty	Box Wt kg	Box Dimensions axbxc mm	Price	B
A1050180	9¾	1	185 x 343	4	10.00	400X400X410	£59.66	
A1050240	9¾	1½"	185 x 353	4	11.00	400X400X410	£59.66	
A1050170	20	1	185 x 615	4	16.00	430X670X420	£76.20	
A1050160	20	1½"	185 x 625	4	16.73	430X670X420	£76.20	
A1050290	30	1½"	185 x 878	1	7.00	210X900X210	£129.15	

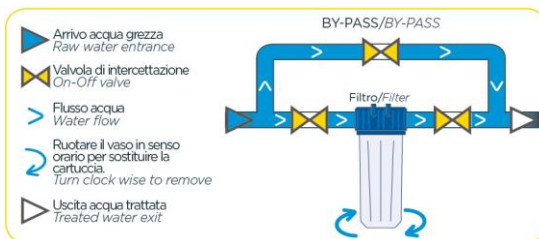
Designed to hold cartridges 9"3/4, 20" & 30";
Cartridges not included;

Filter Housings

Aqua Big



INSTALLATION



AQUA BIG LINE ACCESSORIES

Keys

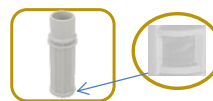
Code	Description	Price	B
A6010090	Plastic spanner (key) Aqua Big	£7.16	



A6010090

Diffuser Tubes

Code	Description	Price	B
A6012080	Diffuser tube 9 1/2" for Aqua Big	£7.35	
A6012090	Diffuser tube 20" for Aqua Big	£16.88	
MG010480	O ring for Aqua Big housing diffuser tube	£0.60	
A6012100	Diffuser disc for Aqua Big blue	£2.29	
A6012170	Diffuser disc for Aqua Big V/T sump (transparent)	£2.29	



A6012080



A6012090



MG010480



A6012100



A6012170

Diffuser Kits

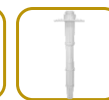
Code	Description	Price	B
A6012430	Complete diffuser kit for Aqua Big opaque 9 1/2"	£9.77	
A6012440	Complete diffuser kit for Aqua Big opaque 20"	£18.82	
A6013050	Complete diffuser kit for Aqua Big opaque 30"	£27.20	
A6012450	Complete diffuser kit for Aqua Big clear 9 1/2"	£9.77	
A6012460	Complete diffuser kit for Aqua Big clear 20"	£18.82	
A6013050A	Complete diffuser kit for Aqua Big clear 30"	£27.70	



A6012430



A6012440



A6013050



A6012450



A6012460



A6013050A

Brackets and Supports

Code	Description	Price	B
PN020100	Single metal bracket for Aqua Big housing	£17.42	
PN020040	Double metal bracket for Aqua Big housing	£33.11	



PN020100



PN020040

Other Accessories

Code	Description	Price	B
MG011220	O-Ring - ref. VMQ70 - 140 X 5 red silicone	£4.83	



MG011220